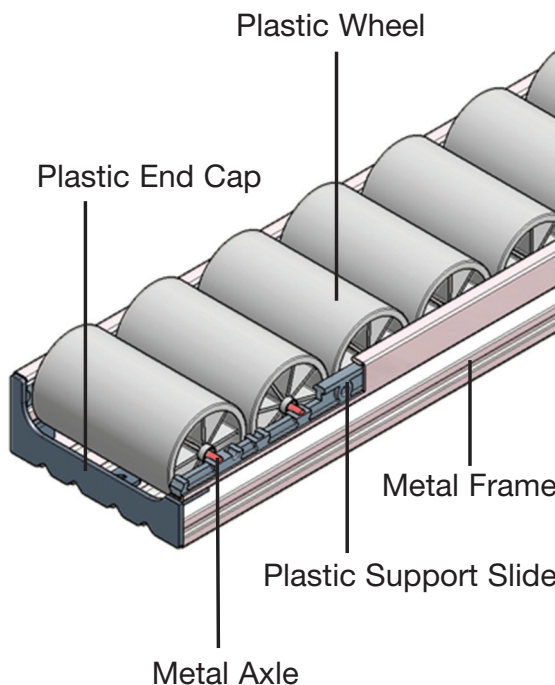
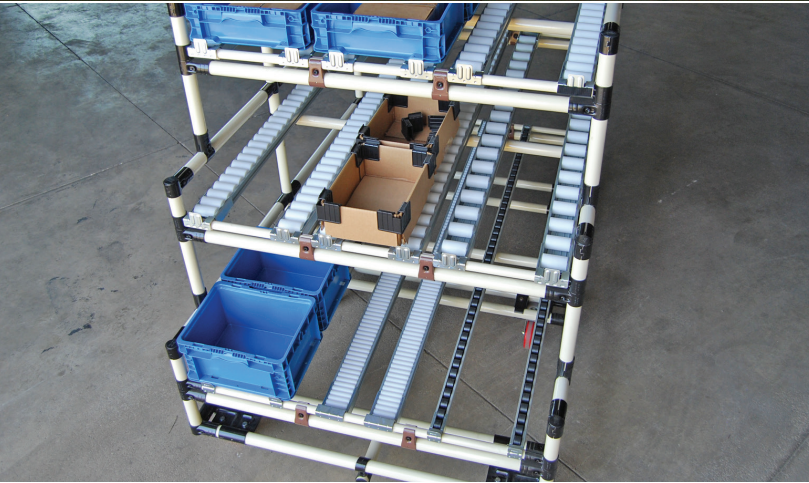
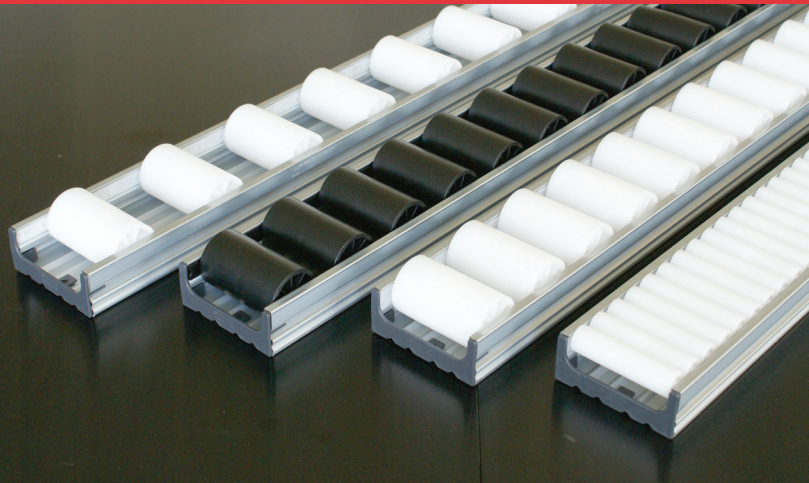


# CREFORM CONVEYORS SOLVE GRAVITY FLOW PROBLEMS



Creform gravity conveyors provide stability, extra support and smooth flow for handling totes with soft bottoms and open cell designs or even unpackaged parts.

- System features a wide selection of roller sizes, spacing and styles
- Precision, quiet, free-spinning rollers permit low flow angles
- Mounting hardware for 28mm, 32mm and 42mm Creform pipe
- Modular design with components for flexibility and recyclability
- Optional guide rails offer extra handling security
- Low rolling resistance
- Integrate into fabricated structures

Give us your gravity flow challenges and we'll show you the advantages of the conveyor system.

# CREFORM GRAVITY CONVEYORS SPECIFICATIONS

Part Number	Image	Description	Roller Sizing	Pitch Between Wheels	Overall Conveyor Width	Lengths	Application Notes	Extras
EF-2044-2500 EF-2044-3000 EF-2044-4000		Standard roller conveyor	34mm STD wheel	42mm	40mm	2.5m 3m 4m	Majority of plastic totes, cardboard boxes	
EF-2045-4000		Large roller conveyor	44mm large wheel	50mm	40mm	4m	Majority of plastic totes, cardboard boxes	
EF-2047F-4000		Flanged roller conveyor	44mm outside 34mm inside	50mm	40mm	4m	Guide edge of boxes	
EF-6045-2500 EF-6045-4000 EF-6045ESD-4000		Mini-conveyor (ESD available)	28mm, STD wheel	42mm	30mm	2.5m 4m 4m	Majority of plastic totes, cardboard boxes	Good for return lanes or a lot of lanes per level
PCC2-3000-H16-EBL		Small straight roller conveyor (ESD)	15mm, narrow wheel	16mm	40mm	3m	Majority of plastic totes, cardboard boxes	
KKC2-3000-H16-EBL		Small straight roller conveyor, stainless steel (ESD)	15mm, narrow wheel	16mm	40mm	3m	Majority of plastic totes, cardboard boxes	
PWA1-2400-H43 PWA1-3000-H43		Wide straight roller conveyor	41mm diameter, 72mm width	43mm	88mm	2.4m 3m	Lower friction rollers, good for plastic or cardboard	
PWA3-2400-H57		Wide straight roller conveyor	41mm diameter, 72mm width	57mm	88mm	2.4m	Lower friction rollers, good for plastic or cardboard	Middle length pitch between wheels
PWA5-2400-H86		Wide straight roller conveyor	41mm diameter, 72mm width	86mm	88mm	2.4m	Lower friction rollers, good for plastic or cardboard	Highest length pitch between wheels
PWB1-2400-H43		Wide tapered roller conveyor	41mm diameter, 72mm width	43mm	88mm	2.4m	Lower friction rollers, good for plastic or cardboard	Tapered rollers are good for boxes that deflect in the center
PWB3-2400-H57		Wide tapered roller conveyor	41mm diameter, 72mm width	57mm	88mm	2.4m	Lower friction rollers, good for plastic or cardboard	Tapered rollers are good for boxes that deflect in the center
PWC1-2400-H19 PWC1-3000-H19		Wide, small straight roller conveyor	18mm diameter, 72mm width	19mm	88mm	2.4m 3m	Excellent for small parts flow	
PWC2-2400-H19-EBL		Wide, small straight roller conveyor (ESD)	18mm diameter, 72mm width	19mm	88mm	2.4m	Excellent for small parts flow	
KWA2-3000-H43-EBL		Wide, straight roller conveyor with stainless steel covering (ESD)	41mm diameter, 72mm width	43mm	88mm	3m	Lower friction rollers, good for plastic or cardboard	Stainless covering is good for impact and reliability, clean rooms
KWC2-3000-H19-EBL		Wide, small straight roller conveyor with stainless steel covering (ESD)	18mm diameter, 72mm width	19mm	88mm	3m	Excellent for small parts flow	Stainless covering is good for impact and reliability, clean rooms
KWL2-3000-H19-EBL		Wide, small straight roller conveyor with stainless steel covering (ESD)	18mm diameter, 72mm width	19mm	88mm	3m	Low profile frame, excellent for small parts flow	Stainless covering is good for impact and reliability, clean rooms

ISO 9001:  
2015 CERTIFICATION

**CREFORM**® MATERIAL HANDLING SYSTEMS

www.creform.com  
800-839-8823

Greer, South Carolina  
Ph 864-989-1700 • Fax 864-877-3863  
SCsales@creform.com

Novi, Michigan  
Ph 248-926-2555 • Fax 248-668-6650  
MIsales@creform.com

Georgetown, Kentucky  
Ph 502-863-4506 • Fax 502-530-1310  
SCsales@creform.com